



kirsch®

Metal Blinds

Suggested Retail Pricing

Effective April 2015

Metal Blinds

Table of Contents

Color Index	3
Pricing	
Max 1 3/8" (Cordless)	4
Max 1 3/8"	5
Plus8 Privacy (Cordless)	6
Plus8 Privacy (Classic 1" Privacy Option Available)	7
Plus8 (Cordless)	8
Plus8 (Classic 1" Option Available)	9
Basic1 Privacy	10
Basic1	11
Classic 1/2"	12
Classic 2"	13
Classic 1" Specialty Metal Blinds	14-20
Incline and Skylight	15
A-Frame or Double Taper, Top Wider 1	16
Arch or Half-Arch	17
Circle, Oval or Polygon	18
Triangle or Taper, Bottom Wider & Taper, Top Wider	19
Double Taper, Bottom Wider & Top Down/Bottom Up	20
Product Guide	
Features and Options	21
Features Chart	22
Glossary of Terms	22
How to Measure / Minimum Mounting Depth	23
Care Instructions	23
How to Make a Template	24
Specifications	25
Exploded View - Max 1 3/8" and Plus8	26
Exploded View - Classic 1"	27
Exploded View - Basic1	28
Exploded View - Classic 1/2"	29
Exploded View - Classic 2"	30
Terms and Conditions	31
Kirsch Trust Warranty	31

Metal Blinds

Color Index

Solid Finishes						
Color Number	Description	* Plus 8 Classic 1"	**Max 13/8"	***Basic1	Classic 2"	Classic 1/2"
110	White					
111	Cotton					
112	Alabaster					
113	White Cap					
115	Dover					
116	Polar Bear					
137	Almond					
148	Vanilla					
201	Ivory					
202	Blush White					
268	Real Red					
275	Garnet Red					
292	Gingersnap					
310	Sand					
312	Greige					
316	Malibu Sand					
365	Mushroom					
368	Beacon Brown					
384	Rich Earth					
571	Cactus Sage					
590	Sherwood Green					
637	China Blue					
641	Evening Shadows					
685	Royal Navy					
765	Wood Violet					
815	Birch					
820	Squirrel Gray					
860	Mercury					
862	Pearl Gray					
870	U.N. Gray					
885	Dark Bronze					
887	Raw Umber					
890	Black					
892	Low Gloss Black					
Pearlescence Finishes						
1388	Vapor					
1389	Golden Mist					
Opulescence Finishes						
1392	Quartz White					
1393	Glazed Bisque					
Metallic Finishes						
31	Satin Nickel					
34	Brushed Aluminum					
915	Copperite					
968	Ash Bronze					
1440	Cityscape					
1441	Galleria					
1443	Brass					
Native Stone Finishes						
2814	Sandstone					
2815	Earthstone					
2826	Canyonstone					
2828	Claystone					
Tiltone Finishes						
5885	Dark Bronze/Dover					
SheerView (Available with Cordless Plus8, Plus8, Classic 1" and Classic Specialty Shapes)						
34	Brushed Aluminum					
110	White					
112	Alabaster					
885	Dark Bronze					
892	Low Gloss Black					

*Includes: Cordless Plus8 Privacy, Plus8 Privacy, Cordless Plus8, Plus8, Classic 1" Privacy, Classic 1", Classic Specialty Shapes

**Includes: Cordless Max 13/8", Max 13/8"

***Includes: Basic1, Basic1 Privacy

Metal Blinds

Max 1 3/8"

Features and Benefits

Kirsch® exclusive contemporary 13/8" slat reduces slat stack when blinds are raised and provides a stylish appearance

Patented cordless technology option eliminates unsightly lift cords, allows for easy operation, and provides safety for children and pets

Internal steel headrail components provide the highest quality and durability in the industry

Sculpted integrated valance and hidden installation brackets provide a sleek contemporary look and eliminate the need for additional hardware

Clear, round snap-on wand provides sleek appearance, smooth grip and is UV stable

Enclosed cushioned bottomrail provides form and function

Max 1 3/8" (Cordless)																				
	23"	26"	29"	32"	36"	40"	44"	48"	52"	57"	62"	67"	72"	82"	92"	100"	112"	122"	132"	142"
Height to 42"	279	293	305	319	338	356	374	386	408	451	477	511	540	609	672	763	862	958	1058	1156
48"	293	301	316	331	360	379	389	411	437	499	528	562	602	672	734	837	936	1039	1138	1241
54"	301	312	323	341	379	408	418	444	473	536	576	609	650	730	807	910	1017	1116	1222	1325
60"	312	319	338	363	396	444	451	477	514	580	613	660	698	792	869	991	1104	1222	1336	1450
66"	316	334	363	379	408	477	477	521	550	624	660	708	760	844	936	1061	1178	1299	1416	1541
73"	334	353	382	411	456	499	514	550	591	660	716	760	807	910	1003	1135	1267	1399	1534	1666
Premium Finish	33		36			44			55			70			96			129		
	single blind															2 blinds on one headrail				

Shaded area requires multiple blinds per headrail. To price multiple blinds on a headrail, see price above based on individual panel widths then add appropriate surcharge from below.

AVAILABLE COLORS

Available in all colors

BASIC FINISHES

Solid Base Pricing
Tiltone

PREMIUM SLAT FINISHES

Pearlescence See Pricing Chart Above for Surcharge
Opulescence See Page 3 for Color Chart
Metallic
Native Stone

FREE OPTIONS*

*** Must be requested at time of order.**

Hold-down Brackets
Choice of Control Options:
Tilter Left (Standard)
Tilter Right
Extension Brackets (1 1/4" or 2 3/4" to 4 1/4" extension available)
Note: Side Mount limited to 48"W x 73"H max

SURCHARGE OPTIONS

Add to the Price of the Blind:

Two or More Blinds on One Headrail
2 Blinds per Headrail \$94
3 Blinds per Headrail \$130

Metal Blinds

Max 1 3/8"

Max 1 3/8"																				
	23"	26"	29"	32"	36"	40"	44"	48"	52"	57"	62"	67"	72"	82"	92"	102"	112"	122"	132"	142"
Height to 42"	158	176	183	202	224	242	261	283	297	341	356	379	404	456	499	573	701	756	800	852
48"	176	183	209	216	250	268	290	308	327	371	396	418	444	499	554	624	760	823	878	925
54"	183	209	224	235	268	290	316	331	353	400	430	456	488	547	602	683	823	888	943	998
60"	206	216	235	254	283	316	338	356	382	430	459	495	525	591	657	737	881	951	1013	1075
66"	216	231	257	268	305	338	356	393	411	463	499	528	566	631	701	789	936	1017	1087	1149
72"	228	250	268	286	319	356	382	411	441	499	536	566	602	683	749	848	998	1087	1152	1226
78"	242	268	290	316	348	379	408	441	473	528	566	602	639	723	800	903	1061	1149	1226	1303
84"	257	283	308	331	371	400	433	463	499	566	602	639	683	771	852	951	1120	1222	1296	1377
90"	268	297	323	345	393	425	456	495	525	591	631	683	720	815	900	1010	1178	1284	1370	1457
96"	290	316	341	371	411	448	488	521	554	624	668	716	760	859	947	1068	1244	1347	1439	1538
102"	301	327	356	382	430	473	506	547	583	657	708	749	797	903	1003	1120	1299	1413	1516	1622
108"	319	345	371	404	448	495	536	573	613	686	737	785	837	947	1054	1174	1361	1479	1601	1704
114"	327	356	393	418	473	518	562	602	639	720	775	826	881	995	1097	1233	1424	1560	1670	1784
120"	341	371	408	441	495	540	580	628	672	749	804	862	914	1039	1149	1289	1483	1627	1744	1853
126"	353	393	425	456	518	566	605	657	701	782	844	900	962	1087	1197	1340	1560	1692	1817	1934
Premium Finish	26		33			44			55			70			99			129		

AVAILABLE COLORS

Available in all colors

BASIC FINISHES

Solid Base Pricing
Tiltone

PREMIUM SLAT FINISHES

Pearlescence See Pricing Chart Above for Surcharge
Opulescence See Page 3 for Color Chart
Metallic
Native Stone

FREE OPTIONS*

*** Must be requested at time of order.**

Hold-down Brackets
Choice of Control Options:
Tilter Left (Standard)
Tilter Right
All Controls Left
All Controls Right
Extension Brackets (1 1/4" or 2 3/4" to 4 1/4" extension available)
Note: Side Mount limited to 48"W x 80"H max

SURCHARGE OPTIONS

Add to the Price of the Blind:

Blinds 17" in width or less \$36

Two or More Blinds on One Headrail
2 Blinds per Headrail \$94
3 Blinds per Headrail \$130

Cutout Option
Side Cutout \$52
Center Cutout \$73

Metal Blinds

Plus8 Privacy

Features and Benefits

Privacy option provides optimum light and privacy control by eliminating visible cord hole

Patented cordless technology option eliminates unsightly lift cords, allows for easy operation, and provides safety for children and pets

Sculpted integrated valance and hidden installation brackets provide a sleek contemporary look and eliminate the need for additional hardware

Internal steel headrail components provide the highest quality and durability

Enclosed cushioned bottomrail provides form and function

Clear, round snap-on wand provides sleek appearance, smooth grip and is UV stable

Plus8 Privacy (Cordless)

	23"	26"	29"	32"	36"	40"	44"	48"	52"	57"	62"	67"	72"	82"	92"	100"	112"	122"	132"	142"
Height to 42"	269	282	293	309	326	345	361	372	393	436	460	492	520	587	647	737	833	924	1019	1114
48"	282	289	306	317	347	365	376	396	420	479	512	543	579	647	710	809	904	1004	1098	1197
54"	289	302	313	329	365	393	405	428	457	516	555	587	626	706	777	877	980	1074	1177	1277
60"	302	309	329	349	385	428	436	460	496	560	591	639	674	765	840	956	1067	1177	1289	1400
66"	309	326	349	365	393	460	460	503	531	603	639	682	733	813	904	1023	1138	1253	1368	1487
73"	326	341	369	396	440	479	496	531	571	639	690	733	777	877	967	1094	1221	1348	1479	1606
Premium Finish	33		35			44			52			68			92			123		
	single blind															2 blinds on one headrail				

Shaded area requires multiple blinds per headrail. To price multiple blinds on a headrail, see price above based on individual panel widths then add appropriate surcharge from below.

AVAILABLE COLORS

Available in all colors

BASIC FINISHES

Solid Base Pricing
Tiltone

PREMIUM SLAT FINISHES

Pearlescence See Pricing Chart Above for Surcharge
Opulescence See Page 3 for Color Chart
Metallic
Native Stone

FREE OPTIONS*

*** Must be requested at time of order.**

**Classic 1" Privacy option (not available with cordless option)
Provides a 2 slat framed valance and box brackets for easy installation**

Hold-down Brackets

Choice of Control Options:

Tilter Left (Standard)

Tilter Right

Extension Brackets (1 1/4" or 2 3/4" to 4 1/4" extension available)

Note: Side Mount limited to 48"W x 73"H max

SURCHARGE OPTIONS

Add to the Price of the Blind:

Two or More Blinds on One Headrail

2 Blinds per Headrail \$94

3 Blinds per Headrail \$130

Metal Blinds

Plus8 Privacy

Plus8 Privacy																				
	23"	26"	29"	32"	36"	40"	44"	48"	52"	57"	62"	67"	72"	82"	92"	102"	112"	122"	132"	142"
Height to 42"	151	172	183	199	223	239	259	275	290	335	355	374	398	450	494	566	688	740	788	836
48"	172	183	207	215	246	263	283	303	318	366	390	414	442	494	545	621	745	808	860	908
54"	183	207	223	235	263	283	307	327	350	394	426	450	482	542	597	673	808	872	928	987
60"	207	215	235	246	275	307	331	355	383	426	453	490	518	586	645	725	864	939	999	1059
66"	215	231	255	263	298	331	355	386	406	458	490	522	557	629	693	780	924	999	1071	1130
72"	231	246	266	279	311	355	383	406	434	490	529	557	597	673	736	836	987	1071	1130	1206
78"	239	263	283	307	346	374	402	434	462	522	557	597	633	717	792	892	1043	1130	1206	1282
84"	255	279	303	327	366	394	430	458	494	557	593	633	673	760	840	943	1102	1198	1274	1357
90"	266	290	314	338	386	422	450	490	522	586	629	673	712	804	884	995	1159	1263	1346	1437
96"	283	307	335	366	406	442	482	514	545	621	661	705	749	848	939	1056	1222	1330	1409	1513
102"	294	318	355	383	426	462	501	542	577	649	697	736	792	895	991	1107	1278	1389	1493	1601
108"	311	335	370	398	442	490	529	566	601	677	725	780	828	939	1043	1159	1342	1457	1577	1681
114"	318	355	386	414	466	510	553	593	633	712	764	816	868	984	1083	1218	1398	1537	1648	1756
120"	335	370	402	434	490	534	573	621	665	736	797	848	904	1028	1130	1274	1465	1601	1720	1827
126"	350	386	422	450	510	557	601	649	693	773	832	884	947	1071	1187	1326	1533	1668	1788	1912
Premium Finish	23		32		44		56		68		96		127							

AVAILABLE COLORS

Available in all colors

BASIC FINISHES

Solid Base Pricing
Tiltone

PREMIUM SLAT FINISHES

Pearlescence See Pricing Chart Above for Surcharge
Opulescence See Page 3 for Color Chart
Metallic
Native Stone

FREE OPTIONS*

*** Must be requested at time of order.**

**Classic 1" Privacy option (not available with cordless option)
Provides a 2 slat framed valance and box brackets for easy installation**

Hold-down Brackets

Choice of Control Options:

Tilter Left (Standard)

Tilter Right

All Controls Left

All Controls Right

Extension Brackets (1 1/4" or 2 3/4" to 4 1/4" extension available)

Note: Side Mount limited to 48"W x 80"H max

SURCHARGE OPTIONS

Add to the Price of the Blind:

Blinds 17" in width or less \$40

Two or More Blinds on One Headrail

2 Blinds per Headrail \$94

3 Blinds per Headrail \$130

Metal Blinds

Plus8

Features and Benefits

Patented cordless technology option eliminates unsightly lift cords, allows for easy operation, and provides safety for children and pets

Sculpted integrated valance and hidden installation brackets provide a sleek contemporary look and eliminate the need for additional hardware

Internal steel headrail components provide the highest quality and durability

Enclosed cushioned bottomrail provides form and function

Clear, round snap-on wand provides sleek appearance, smooth grip and is UV stable

Plus8 (Cordless)																				
	23"	26"	29"	32"	36"	40"	44"	48"	52"	57"	62"	67"	72"	82"	92"	100"	112"	122"	132"	142"
Height to 42"	256	267	279	287	306	321	341	361	375	418	438	469	496	558	616	705	795	884	972	1062
48"	260	271	287	298	337	348	353	375	399	458	489	519	550	616	678	772	868	961	1055	1147
54"	271	279	303	318	348	375	388	407	434	489	531	558	601	674	744	837	934	1031	1127	1224
60"	283	298	318	330	357	407	415	438	473	531	566	608	644	729	802	911	1012	1120	1224	1329
66"	298	318	330	348	384	438	438	480	508	573	613	651	698	779	864	972	1085	1194	1306	1419
73"	314	326	348	375	422	458	473	508	543	613	658	698	744	837	922	1042	1167	1291	1410	1531
Premium Finish	27		35			43			50			62			89			121		
Sheerview	101		116			144			178			220			306			415		
single blind																2 blinds on one headrail				

Shaded area requires multiple blinds per headrail. To price multiple blinds on a headrail, see price above based on individual panel widths then add appropriate surcharge from below.

AVAILABLE COLORS

Available in all colors

BASIC FINISHES

Solid Base Pricing
Tiltone

PREMIUM SLAT FINISHES

Pearlescence See Pricing Chart Above for Surcharge
Opulescence See Page 3 for Color Chart
Metallic
Native Stone
Sheerview

FREE OPTIONS*

*** Must be requested at time of order.**

**Classic 1" Privacy option (not available with cordless option)
Provides a 2 slat framed valance and box brackets for easy installation**

Hold-down Brackets

Choice of Control Options:

Tilter Left (Standard)

Tilter Right

Extension Brackets (1 1/4" or 2 3/4" to 4 1/4" extension available)

Note: Side Mount limited to 48"W x 73"H max

SURCHARGE OPTIONS

Add to the Price of the Blind:

Two or More Blinds on One Headrail

2 Blinds per Headrail \$94

3 Blinds per Headrail \$130

Metal Blinds

Plus8

Plus8																				
	23"	26"	29"	32"	36"	40"	44"	48"	52"	57"	62"	67"	72"	82"	92"	102"	112"	122"	132"	142"
Height to 42"	148	160	170	186	205	223	240	258	271	313	328	349	373	421	461	527	647	698	740	783
48"	160	170	191	200	230	246	265	283	300	343	365	387	413	461	509	577	701	760	808	852
54"	170	191	206	218	246	266	288	305	324	367	396	421	449	505	555	627	758	816	868	924
60"	190	200	218	238	265	288	312	328	353	397	423	457	483	546	603	681	810	879	937	992
66"	199	216	238	254	285	312	328	362	379	428	458	487	521	582	647	728	864	939	1000	1061
72"	212	231	249	268	301	327	353	379	407	458	494	522	555	627	690	780	924	1000	1063	1130
78"	223	246	266	288	321	348	376	407	433	487	522	555	589	669	738	830	976	1060	1130	1202
84"	238	259	283	305	343	367	398	428	460	520	554	589	627	711	782	879	1034	1125	1197	1271
90"	249	271	296	319	363	394	422	457	484	546	582	626	664	750	829	933	1087	1182	1263	1345
96"	265	288	314	341	379	414	449	478	510	577	616	659	702	792	875	983	1148	1244	1324	1418
102"	278	301	327	353	397	433	466	505	540	605	652	690	737	833	925	1033	1199	1303	1397	1497
108"	292	315	344	373	416	457	494	528	567	631	681	725	773	875	970	1085	1257	1362	1476	1572
114"	301	328	363	387	434	476	518	554	589	664	712	763	810	917	1011	1137	1311	1440	1542	1641
120"	314	344	375	407	457	496	537	579	618	690	743	795	844	959	1058	1189	1369	1499	1608	1710
126"	324	363	393	422	476	520	560	604	647	720	776	829	886	1000	1103	1238	1439	1560	1674	1785
Premium Finish	23	31			38			51			66			89			121			
Sheerview	85	109			139			179			226			314			419			

AVAILABLE COLORS

Available in all colors

BASIC FINISHES

Solid Base Pricing
Tiltone Base Pricing

PREMIUM SLAT FINISHES

Pearlescence See Pricing Chart Above for Surcharge
Opulescence See Page 3 for Color Chart
Metallic
Native Stone
Sheerview

FREE OPTIONS*

*** Must be requested at time of order.**

**Classic 1" Privacy option (not available with cordless option)
Provides a 2 slat framed valance and box brackets for easy installation**

Hold-down Brackets

Choice of Control Options:

Tilter Left (Standard)

Tilter Right

All Controls Left

All Controls Right

Extension Brackets (1 1/4" or 2 3/4" to 4 1/4" extension available)

Note: Side Mount limited to 48"W x 80"H max

SURCHARGE OPTIONS

Add to the Price of the Blind:

Blinds 17" in width or less \$38

Two or More Blinds on One Headrail

2 Blinds per Headrail \$94

3 Blinds per Headrail \$130

Cutout Option

Side Cutout \$52

Center Cutout \$73

Metal Blinds

Basic1 Privacy

Features and Benefits

Privacy option provides optimum light and privacy control by eliminating visible cord hole

Sculpted integrated valance and hidden installation brackets provide a sleek contemporary look and eliminate the need for additional hardware

Basic1 Privacy																
	23"	26"	29"	32"	36"	40"	44"	48"	52"	57"	62"	67"	72"	82"	92"	96"
Height to 42"	123	137	152	167	182	197	211	226	240	285	300	319	344	383	427	476
48"	137	152	167	177	202	216	236	251	265	314	330	354	368	427	467	525
54"	152	167	182	191	216	236	256	270	285	334	359	383	402	462	506	570
60"	167	177	191	211	236	256	276	290	310	364	388	418	442	501	550	619
66"	177	191	206	226	251	270	290	319	334	388	418	447	476	536	595	664
72"	186	202	216	240	265	290	319	334	359	418	447	476	506	565	633	712
78"	197	216	236	256	285	310	334	359	383	442	476	506	541	609	673	761
84"	211	226	251	265	305	324	354	379	408	471	506	536	570	649	718	806
90"	216	240	265	285	319	344	373	408	427	501	536	565	609	687	752	850
96"	236	260	280	300	334	364	393	422	457	525	560	599	639	722	801	899
Premium Finish	20		25			29			40			54				

AVAILABLE COLORS

See page 4

BASIC FINISHES

Solid Base Pricing

PREMIUM SLAT FINISHES

Metallic See Pricing Chart Above for Surcharge
See Page 3 for Color Chart

FREE OPTIONS*

*** Must be requested at time of order.**

Hold-down Brackets
Choice of Control Options:
Tilter Left (Standard)
Tilter Right
All Controls Left
All Controls Right
Extension Brackets (1 1/4" or 2 3/4" to 4 1/4" extension available)
Note: Side Mount limited to 48"W x 80"H max

SURCHARGE OPTIONS

Add to the Price of the Blind:

Blinds 17" in width or less \$49

Metal Blinds

Basic1

Features and Benefits

Sculpted integrated valance and hidden installation brackets provide a sleek contemporary look and eliminate the need for additional hardware

Basic1																
	23"	26"	29"	32"	36"	40"	44"	48"	52"	57"	62"	67"	72"	82"	92"	96"
Height to 42"	116	130	139	154	170	183	198	211	224	257	269	288	311	349	384	432
48"	130	139	155	165	188	201	220	234	246	283	298	318	335	384	419	474
54"	139	155	168	179	201	220	237	250	266	305	322	346	364	417	457	516
60"	154	165	179	194	220	237	257	269	288	329	354	380	396	453	497	555
66"	162	176	193	206	234	250	269	295	313	354	381	400	428	486	534	599
72"	173	190	202	223	249	268	295	313	334	381	400	430	458	515	573	647
78"	183	201	222	237	265	287	312	333	356	398	430	458	489	550	608	685
84"	194	211	234	249	283	305	331	354	381	427	457	487	516	583	649	724
90"	202	224	245	265	296	320	349	380	398	454	486	515	548	619	682	769
96"	218	238	261	280	313	340	364	394	426	473	508	541	579	652	720	813
Premium Finish	15		20			26			34			49				

AVAILABLE COLORS

See page 4

BASIC FINISHES

Solid Base Pricing

PREMIUM SLAT FINISHES

Metallic See Pricing Chart Above for Surcharge
See Page 3 for Color Chart

FREE OPTIONS*

*** Must be requested at time of order.**

Hold-down Brackets
Choice of Control Options:
Tilter Left (Standard)
Tilter Right
All Controls Left
All Controls Right
Extension Brackets (1 1/4" or 2 3/4" to 4 1/4" extension available)
Note: Side Mount limited to 48"W x 80"H max

SURCHARGE OPTIONS

Add to the Price of the Blind:

Blinds 17" in width or less \$49

Metal Blinds

Classic 1/2"

Features and Benefits

1/2" slat size is ideal for small windows and french doors

Box brackets allow for easy installation

Double slat framed Vogue® Valance provides a uniform appearance

Internal steel headrail components provide the highest quality and durability

1" Headrail: 1.55" W x 1" H.

Classic 1/2"																				
	23"	26"	29"	32"	36"	40"	44"	48"	52"	57"	62"	67"	72"	82"	92"	102"	112"	122"	132"	142"
Height to 42"	167	184	200	217	257	276	298	315	340	379	402	427	461	516	564	636	757	829	885	939
48"	184	200	219	237	280	304	322	350	368	418	445	470	501	563	620	701	830	898	958	1018
54"	200	219	238	257	304	329	350	372	398	451	478	516	541	619	672	765	895	969	1038	1100
60"	218	237	257	270	322	350	379	402	427	483	521	558	588	668	733	823	965	1046	1115	1189
66"	238	257	276	301	346	372	402	431	464	522	562	595	631	717	788	887	1033	1115	1200	1270
72"	252	270	298	317	368	400	431	464	495	562	595	634	678	765	848	945	1099	1199	1274	1356
78"	265	289	313	336	392	426	463	495	527	590	634	678	721	815	899	1006	1166	1266	1351	1434
84"	276	304	330	355	418	451	489	522	562	627	672	719	765	864	948	1072	1230	1326	1424	1513
90"	290	319	353	372	440	475	517	558	590	668	716	764	811	916	1006	1137	1300	1381	1484	1575
96"	305	336	366	395	464	503	541	587	624	698	751	802	851	968	1068	1200	1356	1448	1552	1654
102"	322	354	383	413	483	527	572	619	656	736	789	848	899	1014	1122	1254	1419	1514	1618	1723
108"	336	366	398	431	508	558	598	648	688	773	828	886	940	1065	1177	1305	1488	1575	1688	1800
114"	346	383	413	450	521	573	623	675	719	802	864	922	982	1107	1228	1362	1550	1654	1775	1894
120"	364	398	427	467	541	595	648	701	748	831	891	966	1023	1154	1279	1419	1611	1718	1847	1968
126"	370	413	446	483	563	620	671	725	774	865	930	998	1061	1199	1322	1477	1667	1784	1919	2043
Premium Finish	31		38			50			61			77			107			142		

AVAILABLE COLORS

See page 4

BASIC FINISHES

Solid Base Pricing

PREMIUM SLAT FINISHES

Metallic See Pricing Chart Above for Surcharge
See Page 3 for Color Chart

FREE OPTIONS*

*** Must be requested at time of order.**

Hold-down Brackets
Choice of Control Options:
Tilter Left (Standard)
Tilter Right
All Controls Left
All Controls Right
Extension Brackets (1 1/4" or 2 3/4" to 4 1/4" extension available)

SURCHARGE OPTIONS

Add to the Price of the Blind:

Blinds 17" in width or less \$38

Two or More Blinds on One Headrail
2 Blinds per Headrail \$94
3 Blinds per Headrail \$130

Cutout Option
Side Cutout \$52
Center Cutout \$73
Additional or Separate Valance \$78

Metal Blinds

Classic 2"

Features and Benefits

- 2" slat size is ideal for larger windows and is a durable substitute for 2" wood blinds
- Single slat framed Vogue® Valance provides a uniform appearance
- Box brackets allow for easy installation

Classic 2"																				
	23"	26"	29"	32"	36"	40"	44"	48"	52"	57"	62"	67"	72"	82"	92"	102"	112"	122"	132"	142"
Height to 42"	158	172	190	208	231	246	265	285	303	349	364	392	414	467	512	587	704	762	809	859
48"	172	190	212	223	254	274	291	315	334	383	406	431	457	512	564	640	768	833	883	938
54"	190	212	227	241	274	293	321	337	362	409	443	467	497	560	620	697	828	896	952	1013
60"	206	223	241	263	291	321	343	364	394	444	473	508	538	606	668	757	887	965	1028	1089
66"	222	238	263	283	318	343	364	399	418	475	509	543	579	650	718	808	947	1030	1099	1163
72"	235	257	278	301	335	363	394	418	451	509	548	582	620	697	768	869	1013	1099	1170	1245
78"	246	274	293	321	359	388	417	451	482	543	582	620	655	742	821	922	1072	1162	1245	1322
84"	264	287	315	337	378	409	445	475	511	577	618	655	697	789	872	978	1136	1234	1318	1398
90"	278	303	329	357	401	440	470	508	540	606	650	694	738	833	918	1034	1195	1300	1389	1479
96"	291	321	348	376	418	459	497	530	566	640	686	734	778	878	973	1091	1258	1366	1457	1560
102"	305	335	363	394	444	482	520	560	598	671	722	768	816	927	1026	1145	1319	1432	1537	1632
108"	322	349	379	414	461	508	548	588	626	703	757	806	858	973	1082	1202	1383	1501	1606	1709
114"	335	364	401	431	483	524	576	618	655	738	791	848	902	1019	1122	1263	1441	1567	1676	1787
120"	348	379	416	451	508	550	595	642	688	768	826	881	939	1065	1176	1323	1506	1634	1747	1861
126"	362	401	438	470	524	577	623	669	718	802	860	918	980	1110	1227	1374	1565	1700	1821	1942
Premium Finish	27		34		46		57		73		100		130							
Cotton Twill Tapes	27		34		46		57		73		100		130							

AVAILABLE COLORS

See page 4

BASIC FINISHES

Solid Base Pricing

PREMIUM SLAT FINISHES

Metallic See Pricing Chart Above for Surcharge
See Page 3 for Color Chart

FREE OPTIONS*

*** Must be requested at time of order.**

Hold-down Brackets
Choice of Control Options:
Tilter Left (Standard)
Tilter Right
All Controls Left
All Controls Right
Extension Brackets (2" or 4")

SURCHARGE OPTIONS

Add to the Price of the Blind:

Blinds 17" in width or less \$38

Two or More Blinds on One Headrail
2 Blinds per Headrail \$94
3 Blinds per Headrail \$130

Cutout Option
Side Cutout \$52
Center Cutout \$73
Additional or Separate Valance \$78
Cotton Twill Tapes See Chart

Metal Blinds

Classic 1" Specialty Metal Blinds



Features and Functions													
Blind has full lift capability													
Blind will not lift													
Lifts to bottom of headrail													
Lifts to top of bottomrail													
Lifts partially if mounted OM													
Blind has full tilt capability													
Tilts 120° to 140°													
Headrail is curved													
Slats may fan at low or high peaks													
Ladders may not be evenly spaced													
Ladders usually end at last slat													
Vogue® valance standard													
Template required													
Split controls recommended													
Both controls on same side													
Applications from vertical to 45°													
Applications from 45° to horizontal													
Wand tilt standard													
Universal tilt and pole available													
Smooth one-piece Classic headrail													
No further assembly necessary													

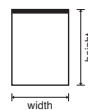
Headrail Jointed

BASIC FINISHES	
Solid	Base Pricing
Tiltone	
PREMIUM SLAT FINISHES	
Pearlescence	See Pricing Charts Pages 15-20
Opulescence	See Page 5 for Color Chart
Metallic	
Native Stone	
SheerView	

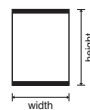
SURCHARGE OPTIONS	
Universal Tilt Adapter	\$21
Adjuster (Left or Right)	\$21
Top-Lok Cord Lock	\$5
Restrictive Tilter	\$5
Jointed Wands (price per wand section)	\$5
Cord Cleats	\$5
Skylight Pole, 4'	\$47
Skylight Pole, 6'-10'	\$62
Skylight Pole, 8'-16'	\$104
Incline with bottom headrail	\$58

Metal Blinds

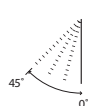
Classic 1" Incline and Skylight Blinds



Incline with Top Headrail



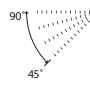
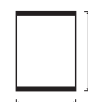
Incline with Top and Bottom Headrail



Applications

Specialty Shapes: Incline

	23"	26"	29"	32"	36"	40"	44"	48"	52"	57"	62"	67"	72"	82"	92"	102"
Height to 42"	233	246	255	315	333	347	364	380	394	428	489	512	527	638	672	769
48"	246	255	270	328	353	368	384	400	418	456	522	544	566	672	716	814
54"	255	270	285	345	368	385	408	421	441	480	551	573	598	713	758	861
60"	269	283	297	359	384	408	427	445	467	509	576	603	627	751	803	910
66"	282	295	317	376	407	427	445	473	489	531	604	633	667	783	844	952
72"	292	312	326	388	419	444	467	489	515	563	640	668	696	825	882	1,002
78"	302	322	343	408	437	464	488	515	541	589	668	696	728	863	926	1,046
84"	318	334	356	421	456	480	512	531	564	618	694	728	763	901	968	1,093
90"	326	348	369	434	474	503	528	560	588	643	721	758	798	938	1,010	1,139
96"	337	363	385	452	489	522	552	579	612	670	752	792	829	976	1,050	1,188
102"	350	375	397	467	509	541	572	603	638	696	782	821	863	1,013	1,097	1,230
108"	364	387	413	483	525	560	594	626	662	719	810	851	895	1,050	1,139	1,279
114"	375	398	428	498	542	577	617	650	682	751	843	886	932	1,092	1,176	1,328
120"	385	413	441	515	560	598	633	664	711	778	869	914	963	1,128	1,220	1,375
126"	396	428	458	528	577	618	655	694	734	804	898	945	998	1,165	1,263	1,420
Premium Finish	36			50			66			94						
Sheerview	125			174			228			327						
Bottom Headrail	Add \$58 retail if incline with bottom headrail															



Applications

Specialty Shapes: Skylight

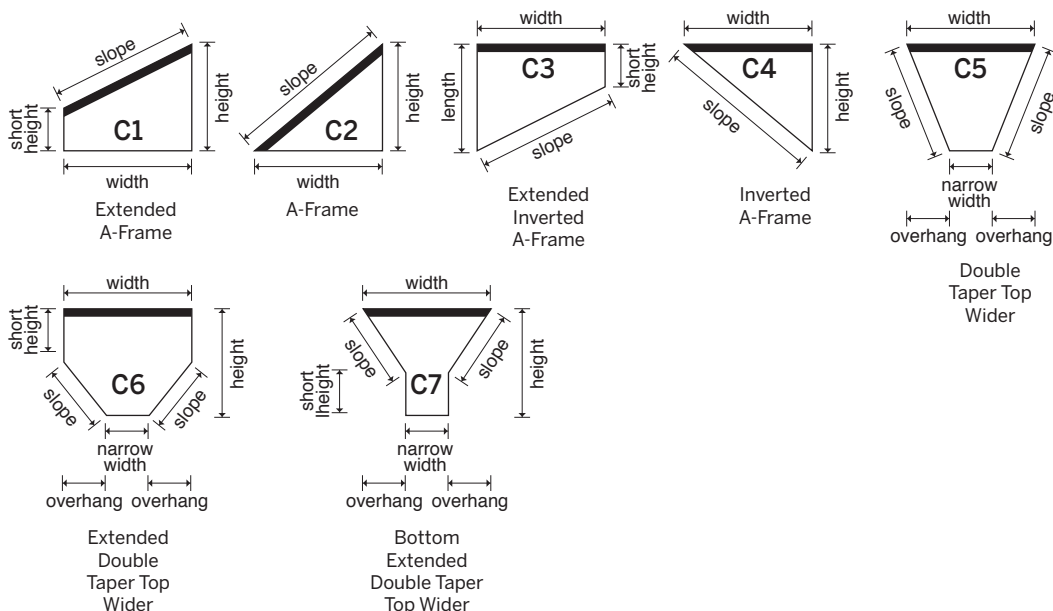
	23"	26"	29"	32"	36"	40"	44"	48"	52"	57"	62"	67"	72"	82"	92"
Height to 42"	323	334	346	385	407	418	434	450	464	499	544	566	584	681	717
48"	334	346	363	398	426	440	456	474	489	526	575	596	618	717	758
54"	381	397	413	459	483	501	524	541	558	596	660	681	705	820	869
60"	396	410	421	477	499	524	544	563	587	625	683	713	737	860	910
66"	408	420	441	495	522	544	563	589	604	650	714	742	773	894	947
72"	418	434	451	504	538	560	587	604	631	679	748	776	805	933	992
78"	463	483	501	576	606	636	657	683	711	757	847	876	908	1,062	1,125
84"	478	497	518	593	625	650	681	704	733	787	875	908	942	1,098	1,165
90"	488	509	528	604	643	674	702	730	755	814	901	939	976	1,136	1,204
96"	499	524	547	624	660	692	725	751	780	843	933	970	1,007	1,171	1,251
Premium Finish	44			53			59			87					
Sheerview	147			182			206			308					

Metal Blinds

Classic 1" A-Frame or Double Taper, Top Wider



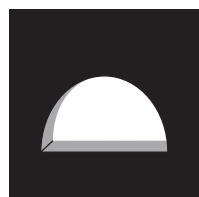
Template Required



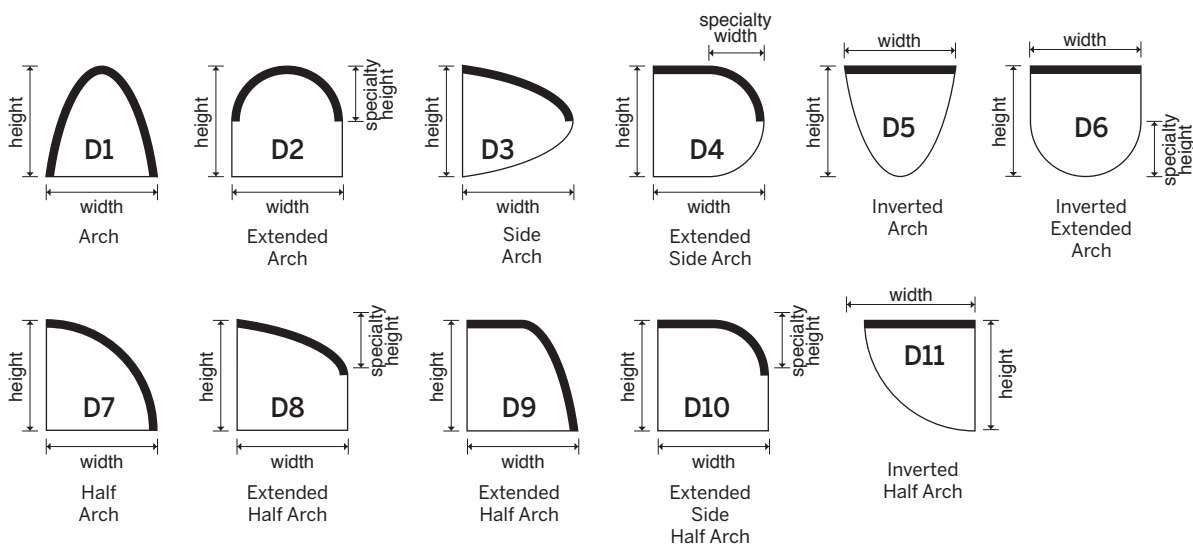
Specialty Shapes: A-Frame or Double Taper, Top Wider																				
	23"	26"	29"	32"	36"	40"	44"	48"	52"	57"	62"	67"	72"	82"	92"	102"	112"	122"	132"	142"
Height to 42"	466	478	488	548	570	582	640	654	711	746	792	814	873	1,005	1,082	1,186	1,311	1,394	1,464	1,536
48"	478	488	504	566	589	603	660	679	734	773	826	848	910	1,043	1,126	1,228	1,361	1,448	1,525	1,597
54"	488	504	520	577	603	620	682	701	757	799	853	877	943	1,080	1,169	1,276	1,414	1,501	1,580	1,662
60"	503	517	528	595	619	643	703	719	783	826	879	908	974	1,121	1,214	1,325	1,464	1,560	1,643	1,726
66"	515	527	547	613	642	662	719	748	805	850	911	938	1,010	1,155	1,253	1,369	1,513	1,614	1,704	1,789
72"	524	544	558	624	655	679	745	765	830	877	943	969	1,041	1,195	1,295	1,418	1,565	1,669	1,760	1,853
78"	530	553	572	643	672	701	764	791	853	903	969	1,002	1,071	1,231	1,335	1,463	1,615	1,723	1,821	1,918
84"	548	569	589	658	690	716	785	810	878	936	1,000	1,031	1,104	1,271	1,379	1,509	1,666	1,783	1,879	1,982
90"	558	579	601	671	711	739	807	835	902	962	1,028	1,066	1,139	1,309	1,420	1,553	1,717	1,834	1,943	2,047
96"	571	594	618	688	725	757	830	854	926	987	1,058	1,096	1,171	1,348	1,463	1,601	1,769	1,892	1,996	2,111
102"	584	606	631	703	746	777	848	879	952	1,013	1,088	1,125	1,204	1,384	1,510	1,645	1,818	1,945	2,062	2,174
108"	595	619	646	719	761	798	872	903	978	1,036	1,115	1,155	1,238	1,423	1,550	1,693	1,872	2,001	2,121	2,239
114"	606	633	660	734	778	814	894	926	1,000	1,068	1,143	1,193	1,276	1,461	1,588	1,743	1,922	2,057	2,177	2,300
120"	618	646	672	750	798	835	910	939	1,028	1,094	1,170	1,219	1,304	1,497	1,630	1,789	1,973	2,110	2,237	2,362
126"	627	660	688	765	814	852	933	970	1,050	1,120	1,199	1,251	1,344	1,535	1,674	1,835	2,023	2,229	2,297	2,427
Premium Finish	59			75			97			131			183							
Sheerview	206			264			337			461			640							

Metal Blinds

Classic 1" Arch or Half-Arch



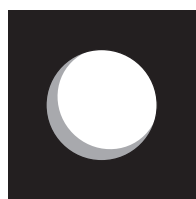
Template Required
(if not a perfect arch)



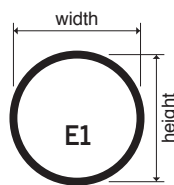
Specialty Shapes: Classic 1" Arch or Half-Arch																				
	23"	26"	29"	32"	36"	40"	44"	48"	52"	57"	62"	67"	72"	82"	92"	102"	112"	122"	132"	142"
Height to 42"	711	719	730	861	879	894	1,000	1,013	1,171	1,206	1,330	1,353	1,450	1,613	1,748	1,907	2,110	2,293	2,474	2,630
48"	719	730	748	875	900	914	1,020	1,038	1,197	1,234	1,366	1,384	1,487	1,647	1,790	1,949	2,162	2,348	2,538	2,694
54"	730	748	763	887	914	933	1,043	1,062	1,284	1,323	1,458	1,480	1,585	1,751	1,907	2,078	2,299	2,473	2,649	2,808
60"	746	757	773	908	932	952	1,064	1,077	1,310	1,352	1,484	1,511	1,615	1,790	1,947	2,128	2,354	2,531	2,712	2,872
66"	755	772	791	921	951	974	1,077	1,108	1,330	1,378	1,512	1,537	1,652	1,826	1,990	2,174	2,398	2,584	2,773	2,934
72"	766	783	803	936	966	988	1,101	1,126	1,356	1,402	1,546	1,574	1,684	1,865	2,033	2,221	2,450	2,643	2,830	2,997
78"	778	799	815	952	982	1,011	1,125	1,152	1,381	1,431	1,574	1,601	1,715	1,902	2,074	2,265	2,502	2,694	2,889	3,063
84"	792	810	831	969	1,002	1,028	1,148	1,169	1,405	1,461	1,600	1,634	1,748	1,943	2,113	2,310	2,555	2,754	2,948	3,125
90"	803	822	846	981	1,020	1,048	1,166	1,195	1,427	1,486	1,628	1,665	1,783	1,975	2,158	2,359	2,605	2,807	3,012	3,193
96"	814	837	861	1,000	1,036	1,068	1,192	1,218	1,450	1,513	1,659	1,698	1,814	2,013	2,200	2,407	2,656	2,861	3,065	3,257
102"	828	849	873	1,013	1,055	1,088	1,206	1,240	1,480	1,541	1,689	1,725	1,848	2,052	2,243	2,449	2,705	2,917	3,131	3,317
108"	839	863	886	1,031	1,071	1,104	1,230	1,264	1,503	1,563	1,716	1,757	1,879	2,092	2,289	2,495	2,758	2,971	3,190	3,385
114"	849	875	903	1,045	1,090	1,126	1,253	1,288	1,526	1,593	1,746	1,793	1,917	2,130	2,326	2,547	2,809	3,025	3,247	3,447
120"	861	886	916	1,063	1,104	1,143	1,267	1,300	1,551	1,617	1,771	1,818	1,946	2,166	2,366	2,594	2,861	3,082	3,306	3,507
126"	872	903	933	1,075	1,126	1,165	1,292	1,330	1,577	1,645	1,802	1,851	1,983	2,203	2,410	2,638	2,909	3,200	3,365	3,574
Premium Finish	84			109			152			202			284							
Sheerview	298			381			530			707			994							

Metal Blinds

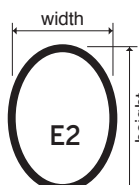
Classic 1" A-Frame or Double Taper, Top Wider



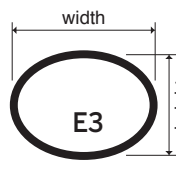
Template Required



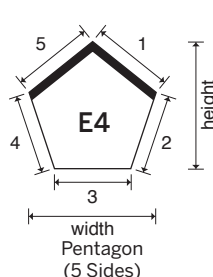
Circle



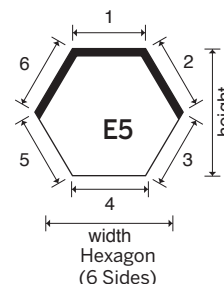
Oval



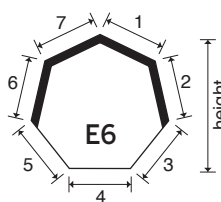
Oval



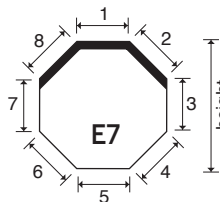
Pentagon (5 Sides)



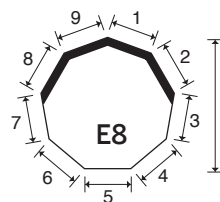
Hexagon (6 Sides)



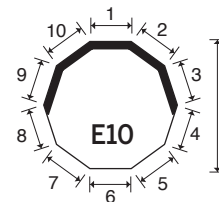
Heptagon (7 Sides)



Octagon (8 Sides)



9 Sided Polygon

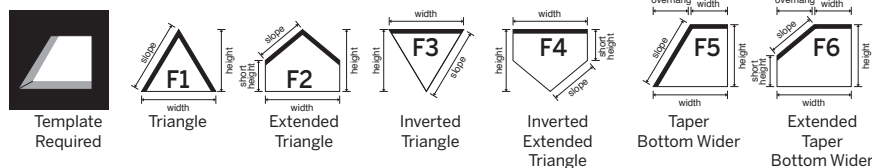


10 Sided Polygon

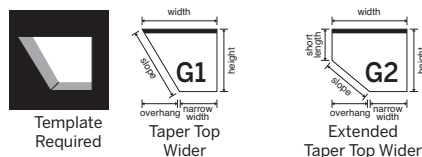
Specialty Shapes: Classic 1" Circle, Oval or Polygon																
	23"	26"	29"	32"	36"	40"	44"	48"	52"	57"	62"	67"	72"	82"	92"	102"
Height to 42"	872	881	893	1,023	1,041	1,054	1,189	1,202	1,352	1,387	1,548	1,569	1,739	1,972	2,198	2,258
48"	881	893	910	1,036	1,063	1,074	1,206	1,227	1,378	1,415	1,579	1,600	1,775	2,009	2,239	2,300
54"	893	910	921	1,048	1,074	1,094	1,230	1,247	1,399	1,439	1,611	1,630	1,810	2,046	2,284	2,348
60"	908	918	935	1,068	1,093	1,115	1,252	1,267	1,425	1,467	1,635	1,662	1,841	2,086	2,326	2,396
66"	917	933	951	1,086	1,113	1,136	1,267	1,296	1,448	1,493	1,664	1,690	1,875	2,120	2,365	2,443
72"	931	945	964	1,097	1,128	1,152	1,292	1,315	1,473	1,519	1,698	1,724	1,907	2,161	2,408	2,490
78"	938	962	977	1,115	1,143	1,171	1,311	1,342	1,498	1,548	1,724	1,753	1,939	2,199	2,449	2,536
84"	952	970	995	1,130	1,164	1,189	1,333	1,358	1,520	1,577	1,752	1,785	1,972	2,236	2,492	2,580
90"	964	982	1,005	1,142	1,181	1,214	1,354	1,383	1,546	1,601	1,780	1,817	2,008	2,272	2,533	2,627
96"	976	999	1,023	1,163	1,197	1,229	1,379	1,405	1,569	1,629	1,811	1,849	2,037	2,310	2,577	2,676
102"	987	1,011	1,035	1,175	1,218	1,247	1,396	1,427	1,595	1,656	1,842	1,878	2,073	2,351	2,620	2,718
108"	1,000	1,025	1,047	1,193	1,231	1,266	1,420	1,450	1,620	1,679	1,869	1,908	2,103	2,387	2,662	2,766
114"	1,011	1,036	1,066	1,204	1,251	1,288	1,444	1,476	1,642	1,711	1,898	1,945	2,139	2,424	2,701	2,816
120"	1,023	1,047	1,075	1,221	1,266	1,306	1,458	1,487	1,667	1,737	1,924	1,972	2,172	2,463	2,745	2,863
126"	1,033	1,066	1,094	1,238	1,288	1,327	1,481	1,519	1,693	1,763	1,951	2,007	2,206	2,498	2,786	2,908
Premium Finish	102			127			165			233						
Sheerview	355			442			580			813						

Metal Blinds

Classic 1" Triangle or Taper, Bottom Wider and Taper, Top Wider



Specialty Shapes: Classic 1" Triangle or Taper, Bottom Wider																				
	23"	26"	29"	32"	36"	40"	44"	48"	52"	57"	62"	67"	72"	82"	92"	102"	112"	122"	132"	142"
Height to 42"	667	678	683	763	781	796	848	863	903	939	1,000	1,023	1,067	1,148	1,219	1,345	1,484	1,567	1,661	1,735
48"	678	683	703	778	803	815	869	885	931	966	1,033	1,054	1,100	1,185	1,263	1,387	1,533	1,622	1,721	1,797
54"	703	719	734	808	833	851	910	925	969	1,010	1,077	1,100	1,154	1,240	1,325	1,450	1,600	1,693	1,795	1,878
60"	746	757	773	852	876	900	955	974	1,025	1,066	1,132	1,162	1,214	1,306	1,394	1,527	1,680	1,778	1,882	1,971
66"	755	772	791	870	899	918	974	1,000	1,045	1,092	1,163	1,189	1,247	1,344	1,434	1,574	1,728	1,832	1,944	2,034
72"	783	804	820	900	932	952	1,013	1,036	1,090	1,136	1,215	1,240	1,297	1,397	1,493	1,639	1,797	1,908	2,017	2,114
78"	796	815	833	917	946	976	1,035	1,063	1,113	1,163	1,240	1,268	1,328	1,436	1,536	1,684	1,848	1,960	2,078	2,178
84"	837	853	876	963	995	1,018	1,086	1,108	1,164	1,219	1,296	1,328	1,392	1,501	1,603	1,753	1,925	2,046	2,165	2,268
90"	847	869	887	974	1,011	1,041	1,101	1,132	1,188	1,244	1,323	1,359	1,423	1,537	1,645	1,803	1,977	2,098	2,227	2,334
96"	885	910	933	1,018	1,054	1,088	1,154	1,181	1,237	1,297	1,380	1,420	1,484	1,601	1,716	1,877	2,057	2,178	2,308	2,426
102"	899	919	944	1,033	1,073	1,101	1,171	1,203	1,264	1,325	1,413	1,448	1,515	1,642	1,760	1,920	2,104	2,236	2,372	2,489
108"	911	935	962	1,047	1,092	1,125	1,195	1,228	1,289	1,349	1,438	1,480	1,549	1,679	1,803	1,969	2,161	2,292	2,430	2,555
114"	919	945	976	1,064	1,104	1,142	1,218	1,252	1,310	1,379	1,467	1,514	1,585	1,717	1,842	2,017	2,208	2,346	2,490	2,616
120"	933	962	987	1,076	1,125	1,164	1,231	1,264	1,335	1,402	1,494	1,542	1,615	1,753	1,882	2,065	2,262	2,398	2,548	2,678
126"	943	976	1,003	1,096	1,142	1,185	1,257	1,296	1,360	1,431	1,524	1,575	1,652	1,793	1,924	2,110	2,308	2,519	2,611	2,745
Premium Finish	87			103			124			155			209							
Sheerview	303			362			433			542			730							

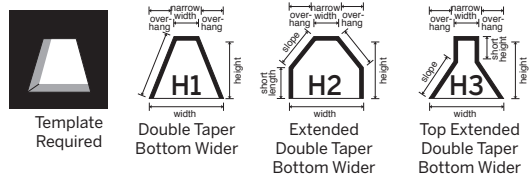


*If overhang is less than 8-1/2", price as standard Classic 1" with cut-out charge.

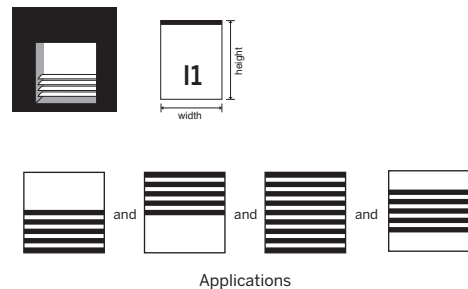
Specialty Shapes: Classic 1" Taper, Top Wider																				
	23"	26"	29"	32"	36"	40"	44"	48"	52"	57"	62"	67"	72"	82"	92"	102"	112"	122"	132"	142"
Height to 42"	319	330	340	381	400	414	452	467	504	542	573	595	638	732	787	873	990	1,057	1,113	1,169
48"	330	340	356	395	419	433	474	492	528	569	606	627	672	765	831	916	1,041	1,112	1,173	1,231
54"	340	356	372	410	433	452	497	514	552	593	638	658	705	805	876	965	1,092	1,165	1,229	1,296
60"	354	368	383	428	451	476	517	531	579	620	662	688	737	847	917	1,012	1,141	1,224	1,294	1,360
66"	366	381	400	444	473	495	531	563	601	647	690	718	773	878	962	1,058	1,192	1,278	1,352	1,423
72"	379	395	413	456	488	509	558	577	625	672	725	751	805	917	1,000	1,104	1,241	1,331	1,411	1,488
78"	387	408	427	476	504	529	576	603	650	701	751	782	835	955	1,043	1,149	1,294	1,385	1,471	1,551
84"	401	419	443	492	522	547	601	624	674	732	780	813	870	997	1,086	1,195	1,347	1,446	1,528	1,615
90"	413	432	453	503	542	571	619	649	698	755	808	847	903	1,031	1,126	1,244	1,395	1,498	1,591	1,681
96"	426	448	472	521	554	589	643	670	721	782	838	877	936	1,069	1,167	1,289	1,447	1,551	1,644	1,745
102"	437	459	482	531	576	606	662	693	749	810	869	905	969	1,108	1,215	1,333	1,497	1,610	1,711	1,808
108"	450	473	497	551	593	625	683	717	776	833	895	938	1,002	1,144	1,257	1,380	1,549	1,664	1,769	1,874
114"	459	483	515	567	609	647	705	742	798	864	926	970	1,038	1,186	1,295	1,431	1,597	1,718	1,827	1,939
120"	472	497	526	582	625	668	721	752	822	887	952	1,000	1,068	1,221	1,335	1,479	1,650	1,773	1,884	1,996
126"	480	515	544	596	647	685	746	783	848	915	980	1,031	1,101	1,260	1,379	1,520	1,699	1,893	1,946	2,064
Premium Finish	44			58			75			103			149							
Sheerview	153			202			262			364			520							

Metal Blinds

Classic 1" Double Taper, Bottom Wider and Top Down/Bottom Up



Specialty Shapes: Classic 1" Double Taper, Bottom Wider																					
	23"	26"	29"	32"	36"	40"	44"	48"	52"	57"	62"	67"	72"	82"	92"	102"	112"	122"	132"	142"	
Height to 42"	1,035	1,045	1,055	1,175	1,195	1,206	1,288	1,301	1,360	1,397	1,488	1,512	1,575	1,680	1,777	1,945	2,110	2,221	2,351	2,449	
48"	1,045	1,055	1,071	1,192	1,217	1,229	1,306	1,325	1,387	1,424	1,520	1,544	1,611	1,717	1,820	1,990	2,162	2,274	2,411	2,514	
54"	1,086	1,101	1,119	1,234	1,260	1,279	1,359	1,378	1,441	1,480	1,584	1,603	1,675	1,786	1,897	2,066	2,240	2,359	2,495	2,607	
60"	1,148	1,162	1,173	1,298	1,323	1,348	1,425	1,445	1,513	1,552	1,654	1,680	1,751	1,873	1,983	2,161	2,338	2,463	2,606	2,715	
66"	1,160	1,171	1,193	1,315	1,345	1,366	1,445	1,470	1,535	1,579	1,684	1,710	1,787	1,906	2,023	2,206	2,388	2,516	2,666	2,780	
72"	1,199	1,218	1,231	1,358	1,389	1,414	1,497	1,518	1,590	1,636	1,747	1,773	1,849	1,974	2,097	2,286	2,467	2,605	2,750	2,875	
78"	1,206	1,229	1,247	1,376	1,405	1,433	1,516	1,544	1,615	1,664	1,773	1,803	1,879	2,012	2,138	2,329	2,519	2,656	2,813	2,940	
84"	1,268	1,288	1,310	1,438	1,470	1,494	1,586	1,611	1,685	1,739	1,848	1,879	1,962	2,098	2,226	2,420	2,616	2,761	2,919	3,045	
90"	1,279	1,300	1,323	1,449	1,487	1,518	1,606	1,635	1,709	1,764	1,875	1,914	1,994	2,134	2,267	2,468	2,667	2,813	2,980	3,113	
96"	1,335	1,359	1,383	1,514	1,550	1,581	1,675	1,700	1,777	1,837	1,949	1,991	2,073	2,217	2,357	2,559	2,764	2,913	3,080	3,223	
102"	1,350	1,374	1,396	1,528	1,569	1,597	1,693	1,724	1,803	1,865	1,982	2,017	2,108	2,258	2,398	2,606	2,813	2,969	3,145	3,284	
108"	1,360	1,384	1,413	1,544	1,585	1,619	1,717	1,748	1,828	1,884	2,009	2,049	2,138	2,294	2,444	2,651	2,865	3,023	3,205	3,353	
114"	1,374	1,397	1,425	1,559	1,601	1,641	1,738	1,771	1,849	1,918	2,039	2,084	2,175	2,332	2,482	2,702	2,917	3,080	3,261	3,413	
120"	1,383	1,413	1,439	1,575	1,619	1,659	1,752	1,785	1,877	1,944	2,066	2,111	2,203	2,367	2,523	2,748	2,969	3,136	3,322	3,474	
126"	1,395	1,425	1,455	1,592	1,641	1,679	1,777	1,816	1,902	1,970	2,096	2,143	2,240	2,408	2,564	2,794	3,016	3,251	3,383	3,541	
Premium Finish	130			152			177			215			281								
Sheerview	454			530			617			752			983								



Specialty Shapes: Classic 1" Top Down/Bottom Up												
	23"	26"	29"	32"	36"	40"	44"	48"	52"	57"	62"	
Height to 42"	345	353	363	402	421	434	452	467	482	518	563	
48"	353	363	381	418	444	458	474	492	508	546	593	
54"	397	416	431	477	501	521	542	558	575	616	679	
60"	414	427	441	496	518	542	563	577	602	643	703	
66"	426	440	459	512	541	563	577	604	624	669	732	
72"	434	452	472	524	552	576	602	624	649	694	765	
78"	480	501	521	594	625	653	678	703	728	778	864	
84"	497	515	538	613	643	669	701	721	751	807	894	
90"	504	526	548	624	662	692	718	748	776	831	918	
96"	518	542	566	642	679	711	743	769	799	860	947	
102"	528	553	579	660	693	728	765	791	821	885	980	
108"	544	571	596	679	711	746	787	811	846	912	1,011	
114"	553	587	615	694	727	764	811	833	869	939	1,041	
120"	569	598	627	714	743	781	835	853	893	966	1,071	
126"	579	615	646	732	757	800	860	876	914	995	1,100	
Premium Finish	17			21			25					
Sheerview	58			73			87					

Metal Blinds

Features and Options

All Steel Components

High quality, dependable components ensure ease of operation and durability.

Clear, Hex-shaped Wand, S-hook & Sleeve

Easy grip and quality appearance.

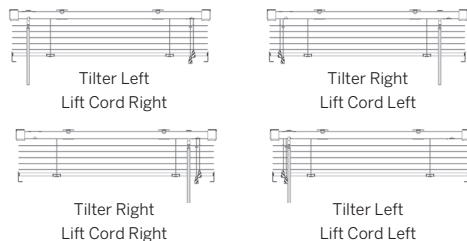
Clear, Snap-on Wand

Resistant to yellowing from sunlight exposure. Snap-on design guarantees easy installation.

Concealed Installation Brackets

Brackets are hidden when blind is installed, providing a clean finished look.

Control Positions



Choice of control positions is available. Tilter left, lift cord right is the standard position. You can choose to reverse the standard position or group the controls on one side.

Cordless

Refers to patented technology that allows for easy operation of the blind without using cords to raise and lower; child and pet safe; motor mechanism and cord take up are centered in the headrail and are one piece for dependability.

Crash-Proof Cordlock

Safety feature that holds the blind securely at any level and prevents the blind from crashing to the sill while raising or lowering.

Cutouts

Allows access to air conditioners, window cranks, etc. Center and side cutouts are available. A diagram is required.

DustGuard®

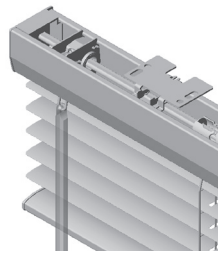
DustGuard is an exclusive paint process that reduces dust build-up on blinds by over 50%. By "disrupting" the static on the blind's aluminum surface, DustGuard actually resists airborne dust particles. DustGuard is totally safe and permanent. Since it is an integral part of the surface, it lasts for the life of the blind.

Enclosed Cushion Bottomrail

A color coordinated vinyl cushion covering the entire width of the blind protects the window sill from scratches and chips.

Extension Brackets (Must be requested at time of order.)

For installations requiring additional space between the blind and the mounting surface. Not available with hold-down brackets.



Guardian Tilter

Provides tighter closure and disengages when over-rotated to safeguard against breakage while providing smooth operation and better quality.

Heavy Duty Headrail

Manufactured of "hardened steel," guaranteed not to rust or corrode.

Hold-down Brackets (Must be requested at time of order.)

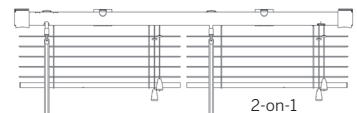
Hold-down brackets prevent blinds from swaying. They can be sill mounted, face mounted or mounted inside the frame. Recommended for doors and in windows subject to wind exposure. Not available with extension brackets.

Integrated Valance

Sculpted design reduces light leakage and creates a uniform and tailored appearance. Eliminates the need for an additional valance cord for uniform appearance).

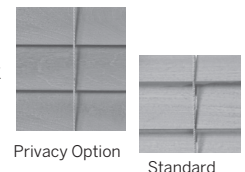
Multiple Blinds on One Headrail

Specialty blind allowing the customer to operate 2 or 3 independent shades on one headrail. Provides the flexibility of raising one blind while keeping the other lowered on extra wide windows, such as patio doors. Standard spacing is 1/2" between blinds.



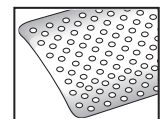
Privacy

Pull-cord holes are positioned near the back of the slat to provide more light control.



SheerView

SheerView provides the ability to see through a closed blind and delivers up to a 42% reduction in solar heat as compared to a fully opened blind. SheerView is available in 5 colors.



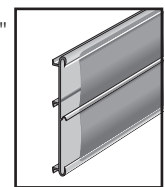
Sheer View

Tiltone

Tiltone blinds allow you to bring one color to the interior of your room while providing a uniform, neutral appearance on the exterior of your home. Plus, Tiltone offers additional energy savings. Indicate which side of the slat and ladder is to be covered by marking the appropriate box on the order form. Unless otherwise specified, factory will place neutral white of ladder towards window side of blind and will match color of headrail and bottomrail to decor color on slat.

Vogue® Round Wrap Valance

Innovative valance provides a sleek, finished look for the window. Two slat valance for the Classic 1/2" and 1" blinds and a one slat valance for the Classic 2" blinds.



Vogue® Valance

Wand Tilt

Rotate slats open and closed, allowing for light control. This is operated by a tilt wand.

Metal Blinds

Features Chart

	Cordless Max 1 3/8"	Max 1 3/8"	Cordless Plus8 Privacy	Cordless Plus8	Plus8 Privacy	Classic 1" Privacy	Plus8	Classic 1"	Basic1 Privacy	Basic1	Classic 1/2"	Classic 2"	Classic 1" Specialty Shapes
Aluminum Gauge	8	8	8	8	8	8	8	8	6	9	8	9	8
Box Brackets and Vogue® Valance						■		■			■	■	■
Concealed Installation Brackets	■	■	■	■	■		■		■	■			
Cordless Lift System	■		■	■									
Crash-Proof Cordlock		■			■	■	■	■	■	■	■	■	
DustGuard®	■	■	■	■	■	■	■	■	■	■	■	■	■
Enclosed Cushion Bottomrail	■	■	■	■	■		■						
Guardian Tilter	■	■	■	■	■	■	■	■			■	■	■
Heavy Duty Headrail	■	■	■	■	■	■	■	■	■	■	■	■	
Multi-color Striping	■	■	■	■	■	■	■	■			■	■	■
Multiple Blinds per Headrail	■	■	■	■	■	■	■	■			■	■	
Privacy Feature			■		■	■			■				
Sculpted Integrated Valance	■	■	■	■	■		■		■	■			
SheerView				■			■	■					
Tiltone	■	■	■	■	■	■	■	■					■

GLOSSARY OF TERMS

Gauge:

Thickness of the aluminum slat--6 gauge is thinner and less durable than 8 gauge or 9 gauge.

Pull/Lift Cords:

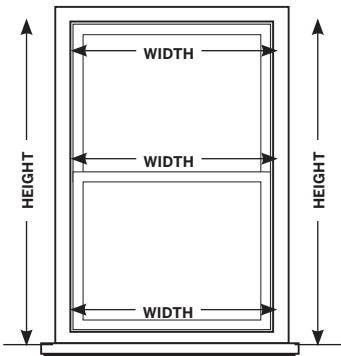
Cords that allow operation of lifting and lowering the blind.

Slat Spacing:

Distance between slats. The smaller the slat spacing, the tighter the blind closes, equaling more slats per foot.

Metal Blinds

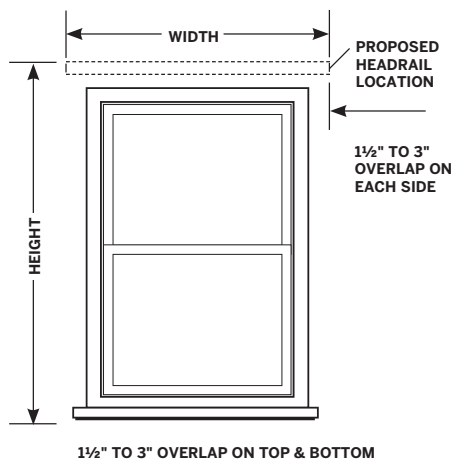
How to Measure / Minimum Mounting Depth



Inside Mount (IM) Installation

To find width: Measure exact distance to the nearest 1/8" between inside surfaces of window frame at the top, middle, and bottom, and use the narrowest width. Do not make any width deductions. Factory will make appropriate deductions.

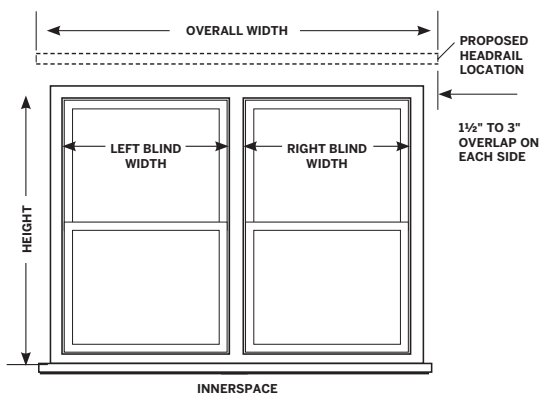
To find height: Measure exact distance to the nearest 1/8" from inside surface at top of window to sill at the left, middle and right and use the longest height. If you prefer blind not to touch sill, deduct 1/4". If there is no sill, measure height to the point where the blind reaches. All Contract Orders must be processed through Contract Customer Service at 1-800-826-8021.



Outside Mount (OM) Installation

To find width: Measure exact distance to the nearest 1/8" between the outermost points where the blind is to be placed. For optimal light control, this measurement should extend 3/4" beyond the window opening on each side (or 1 1/2" for the entire width).

To find height: Measure exact distance to the nearest 1/8" from where top of the blind will be located to the top of sill. If there is no sill or if blind is to overlap window frame, measure to the point the blind reaches.



2-on-1 and 3-on-1 Headrail

1. Measure overall width of the area to be covered.
2. Measure width of the area each blind is to cover. Measure and specify the left blind first, continuing to the right. Factory will allow a minimum of 1/2" between shades for operating clearance.
3. The total width of all shades must equal the total headrail width. If ordering a valance wider than the blind, a diagram is required.
4. To measure height, use standard inside or outside measuring procedures.

Care Instructions

To keep your Kirsch® Metal Blind looking its best, periodically wipe it with a soft dust cloth, a dusting mitt, or a round brush attachment from a vacuum cleaner.

- You can clean the blind hanging in place or you can take it down.
 - By tilting the slats down, but not quite closed, you'll be able to clean most of the top surface of each slat.
- In a very dusty environment, just clean

the blind using a sponge or dampened soft cloth.

- Use warm (not hot) water and mild detergent. The mild detergent cannot contain abrasives.
- Rinse the blind with clean water to prevent water spots.
- Place a towel on the floor or window sill to absorb any water that drips from the blind.

Please note that certain solutions and equipment are too harsh and can cause shrinkage and/or color damage to your blind. The Kirsch® Lifetime-Limited Warranty does not cover damage caused by cleaning methods that use abrasive solutions or by ultrasonic cleaning machines.

Metal Blinds

Specifications, Size Limitations and Deductions

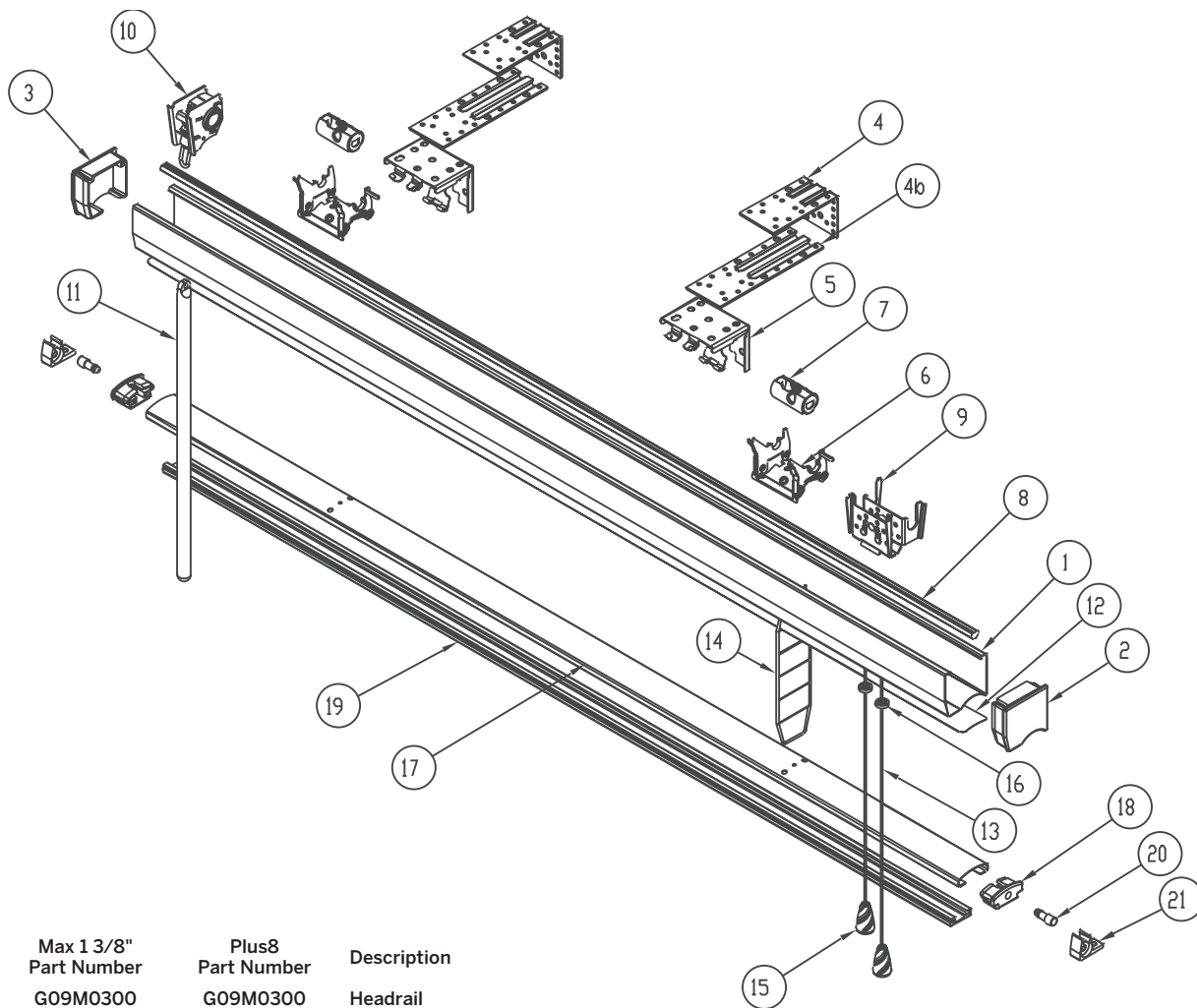
NOTE: Blind dimensions must be equal to or less than the maximum dimensions to be within specification guidelines.

Blind dimensions are listed in inches.

	Max 1 3/8" & Plus8		Classic 1"		Classic 1/2"		Classic 1/2"		Classic 1/2"	
MINIMUM ORDERED WIDTH	INSIDE MOUNT	OUTSIDE MOUNT	INSIDE MOUNT	OUTSIDE MOUNT	INSIDE MOUNT	OUTSIDE MOUNT	INSIDE MOUNT	OUTSIDE MOUNT	INSIDE MOUNT	OUTSIDE MOUNT
Cordless	17	16 5/8	N/A		N/A		N/A		N/A	
Tilt and Lift Same Side	15 3/4	15 1/2	15 1/2	15	14 3/4	14 1/4	18 1/2	18	14 1/2	14
Tilt and Lift Opposite Sides (Standard)	11	10 1/2	11	10 1/2	11	10 1/2	12 1/2	12	11 1/2	11
Tilt Control Center; No Lift	7	6 1/2	6 1/2	5 1/2	5 1/2	5	7 5/8	6 7/8	6 1/2	5 1/2
No Tilt and Lift Controls; Slats Open	5 3/4	5 1/2	5	5	5 1/2	5	6 5/8	6 1/8	5	5
MINIMUM LENGTH										
Standard Corded	6		6		6		6		6	
Privacy	6		6		N/A		N/A		6	
Cordless	6		N/A		N/A		N/A		N/A	
MAXIMUM ORDERED WIDTH	INSIDE MOUNT	OUTSIDE MOUNT	INSIDE MOUNT	OUTSIDE MOUNT	INSIDE MOUNT	OUTSIDE MOUNT	INSIDE MOUNT	OUTSIDE MOUNT	INSIDE MOUNT	OUTSIDE MOUNT
2-on-1 and 3-on-1 Headrail	142	142	142	142	142	142	142	142	N/A	
Standard Corded	142	142	142	142	142	142	142	142	96	96
Privacy	142	142	142	142	N/A		N/A		96	96
Cordless Single Blind	100 3/8	100	N/A		N/A		N/A		N/A	
Cordless 2-on-1 Headrail	142	142	N/A		N/A		N/A		N/A	
MAXIMUM LENGTH										
Standard Corded	126		126		126		126		96	
Privacy	126		126		N/A		N/A		96	
Cordless	73		N/A		N/A		N/A		N/A	
STANDARD FACTORY DEDUCTIONS										
Inside Mount (IB) Headrail	1/2		3/4		3/4		3/4		1/2	
Inside Mount (IB) Slat	3/8		1/2		1/2		1/2		3/8	
Outside Mount (OB) Headrail	1/8		1/4		1/4		1/4		1/8	
Outside Mount (OB) Slat	0		0		0		0		0	
Blind Height	0		0		0		0		0	
DIMENSIONS										
Headrail (Height X Depth)	1 1/2 x 1 5/8		1 x 1 9/16		1 x 1 9/16		2 5/16 x 2 1/4		1 5/16 x 1 2/5	
Inside Mount (IB) Bracket (Height X Depth)	7/16 x 11 5/16		1 7/16 x 11 3/16		1 7/16 x 11 3/16		2 9/16 x 2 1/2		1 2/5 x 1 7/16	
Outside Mount (OB) Bracket (Height X Depth)	1 7/16 x 11 3/16		same as IB		same as IB		same as IB		same as IB	
Bottomrail	.35 x 1.125		.38 x .76		.38 x .76		.545 x 2.08		.38 x .76	
MOUNTING REQUIREMENTS										
Inside Mount (IB)										
Minimum Required Mounting Surface	5/8		1/2		1/2		1/2		5/8	
Minimum Required Depth Flush Mount - No Valance	1 3/4		11 3/16		11 3/16		2 1/2		1 3/5	
Minimum Required Depth Flush Mount - With Valance	N/A		2 1/2		2 1/2		3		2 3/16	
Outside Mount (OB)										
Minimum Required Mounting Surface	1/2		1/2		1/2		3/4		3/5	
Rail-to-mount surface clearance	5/8		1/4		1/4		1/8		1/4	
Slat end-to-mount surface clearance	9/16(1") 3/8(13/8")		3/8		3/8		1/4		1/2	
MULTIPLE BLINDS ON ONE HEADRAIL SPACING										
2-on-1 or 3-on-1 Standard Corded	1/2		1/2		1/2		1/2		N/A	
2-on-1 or 3-on-1 Privacy	1/2		1/2		N/A		N/A		N/A	
2-on-1 or 3-on-1 Cordless	1/2		N/A		N/A		N/A		N/A	
STACKING HEIGHTS										
Stacks To	INSIDE MOUNT	OUTSIDE MOUNT								
3"	36 3/4	48 1/4	54		55 3/4		N/A		71	
3.5"	55	72 1/4	71		71 1/2		21 3/4		91	
4"	72 1/4	96	88		87 1/4		40 1/4		N/A	
4.5"	91 1/2	120	105		103		58 3/4		N/A	
5"	9 3/4	N/A	122		118 3/4		77 1/4		N/A	
5.5"	N/A	N/A	N/A		N/A		95 3/4		N/A	
6"	N/A	N/A	N/A		N/A		114 1/4		N/A	
VALANCE RETURN LENGTHS										
Standard	N/A		1 7/8		1 7/8		1 7/8		1 7/8	
With Extension Brackets	N/A		5 1/2		5 1/2		5 1/2		5 1/2	

Metal Blinds

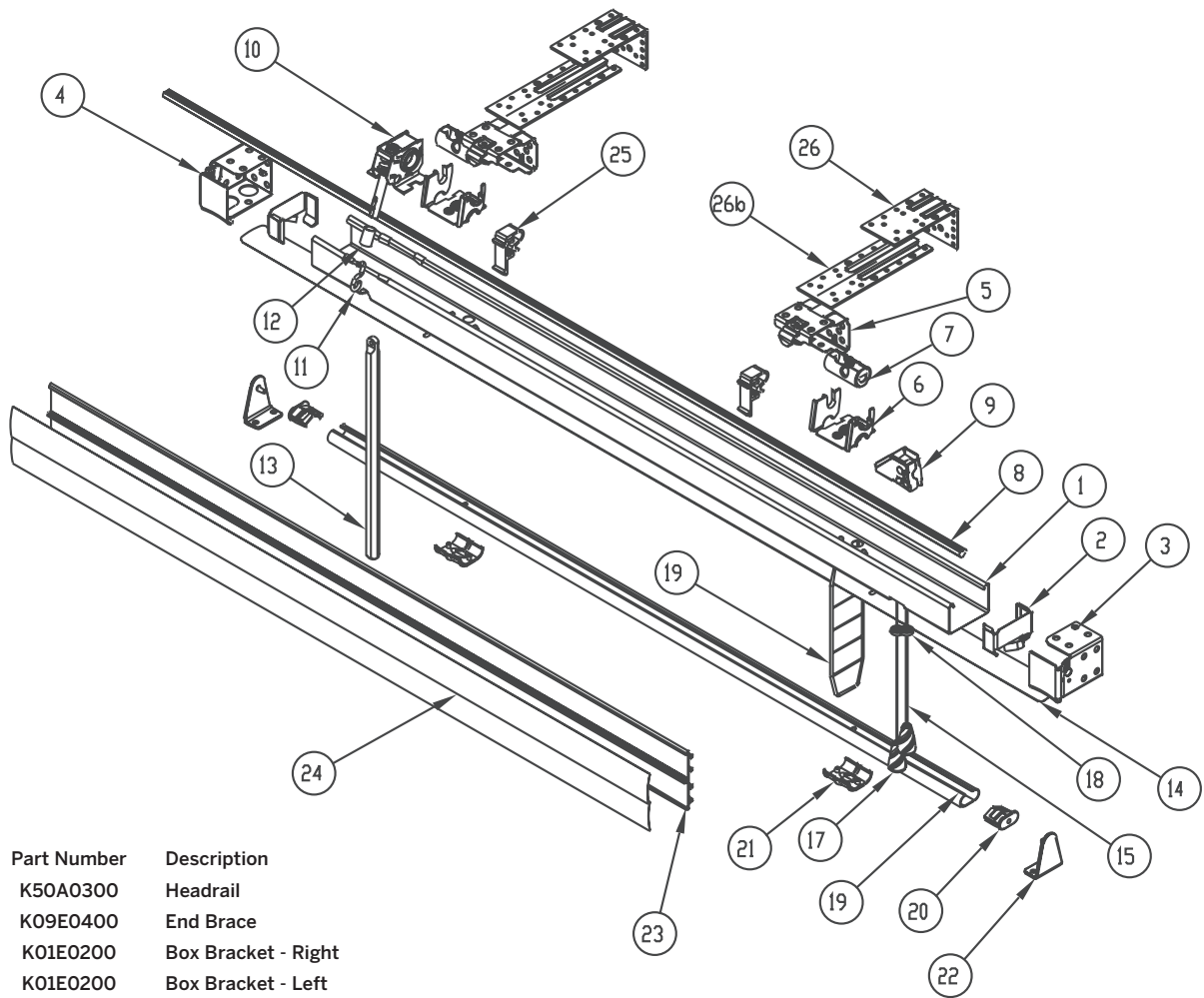
Exploded View—Max 1 3/8" and Plus8



Item	Max 1 3/8" Part Number	Plus8 Part Number	Description
1	G09M0300	G09M0300	Headrail
2	G09U5200	G09U5200	Headrail End Cap - Right
3	G09U5100	G09U5100	Headrail End Cap - Left
4	HBEX0013	HBEX0013	Extension Bracket
4b	HBEX0014	HBEX0014	Extension Bracket Plate
5	HBCK0096	HBCK0096	Universal Mounting Bracket
6	G13C0001	G13C0001	Cradle
7	K13Y0000	K13Y0000	Drum
8	E20P0300	E20P0300	Tilt Rod
9	G10P0000	G10P0000	Cordlock Assembly
10	G11M0001	G11M0001	Tilter Assembly
11	G20M0000	G20M0000	Wand
12	S83D0000	S81D0000	Slat
13	C8800000	C8800000	Cord
14	T18R0000	T17Y0000	Ladder
15	HGTS0001	HGTS0001	Tassel
16	DDW30445	DDW30445	Safety Cord Stop
17	G19M0300	G19M0300	Bottomrail
18	G27M0000	G27M0000	Bottomrail End Cap
19	G19M5400	G19M5400	Bottomrail Bumper
20/21	G12P9900	G12P9900	Hold-Down Kit

Metal Blinds

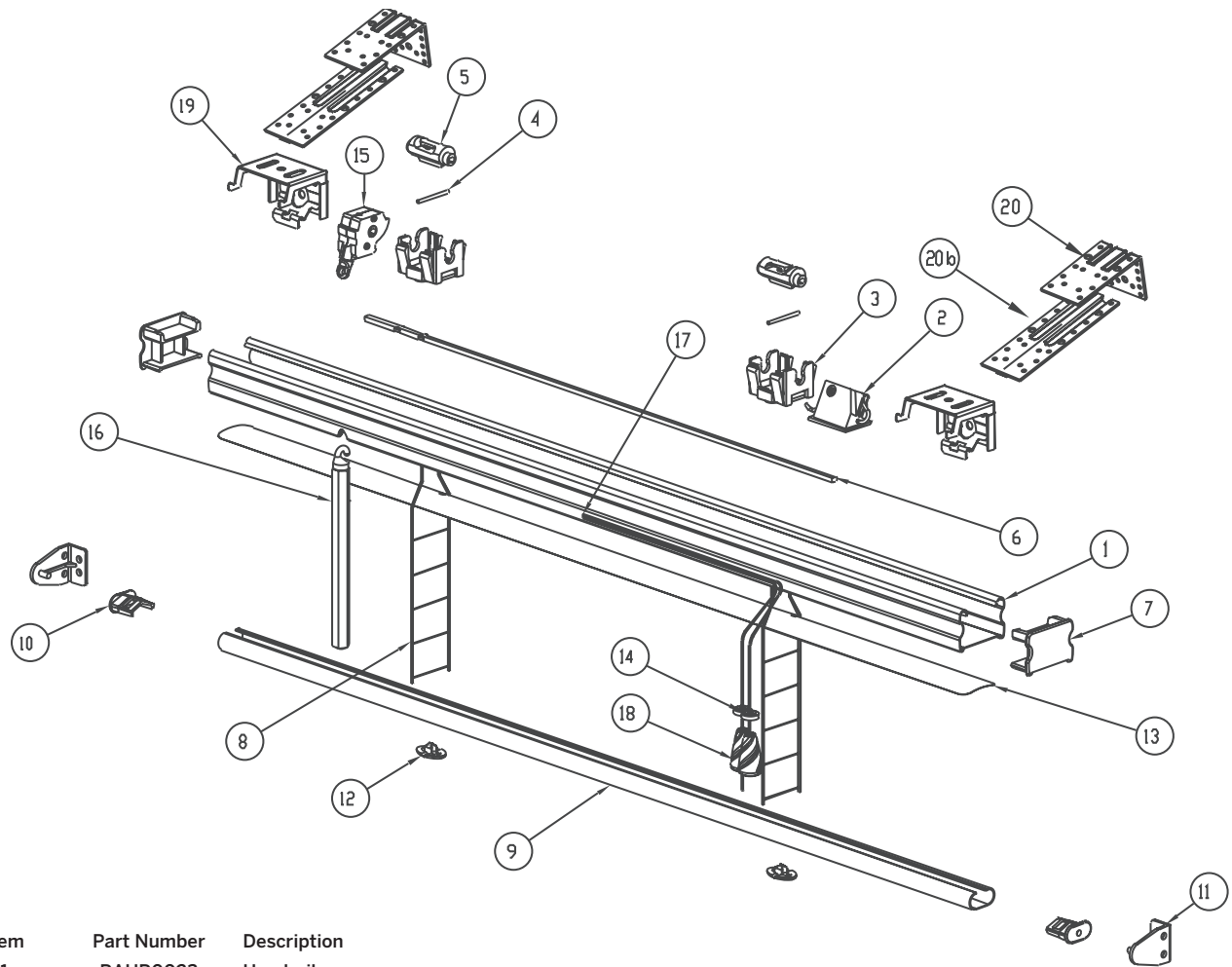
Exploded View—Classic 1"



Item	Part Number	Description
1	K50A0300	Headrail
2	K09E0400	End Brace
3	K01E0200	Box Bracket - Right
4	K01E0200	Box Bracket - Left
5	K16F0000	Intermediate Support Bracket
6	K13C0000	Cradle
7	K13Y0000	Drum
8	E20P0300	Tilt Rod
9	K10K0000	Cordlock Assembly
10	K11A0000	Tilter Assembly
11	K11B3700	Tilter - S-Hook
12	K11B2800	Tilter - Sleeve
13	K20W0000	Wand
14	S81D0000	Slat
15	C8800000	Cord
16	T17Y0000	Ladder
17	HGTS0001	Tassel
18	DDW30445	Safety Cord Stop
19	K19B0300	Bottomrail
20	DY038310	Bottomrail End Cap
21	K23C0000	Ladder Cap
22	DJL01873	Hold-Down Kit
23	K17F5120	Valance Frame
24	S81D0000	Valance Slat
25	U17C0000	Valance Clip
26	HBEX0013	Extension Bracket
26b	HBEX0014	Extension Bracket Plate

Metal Blinds

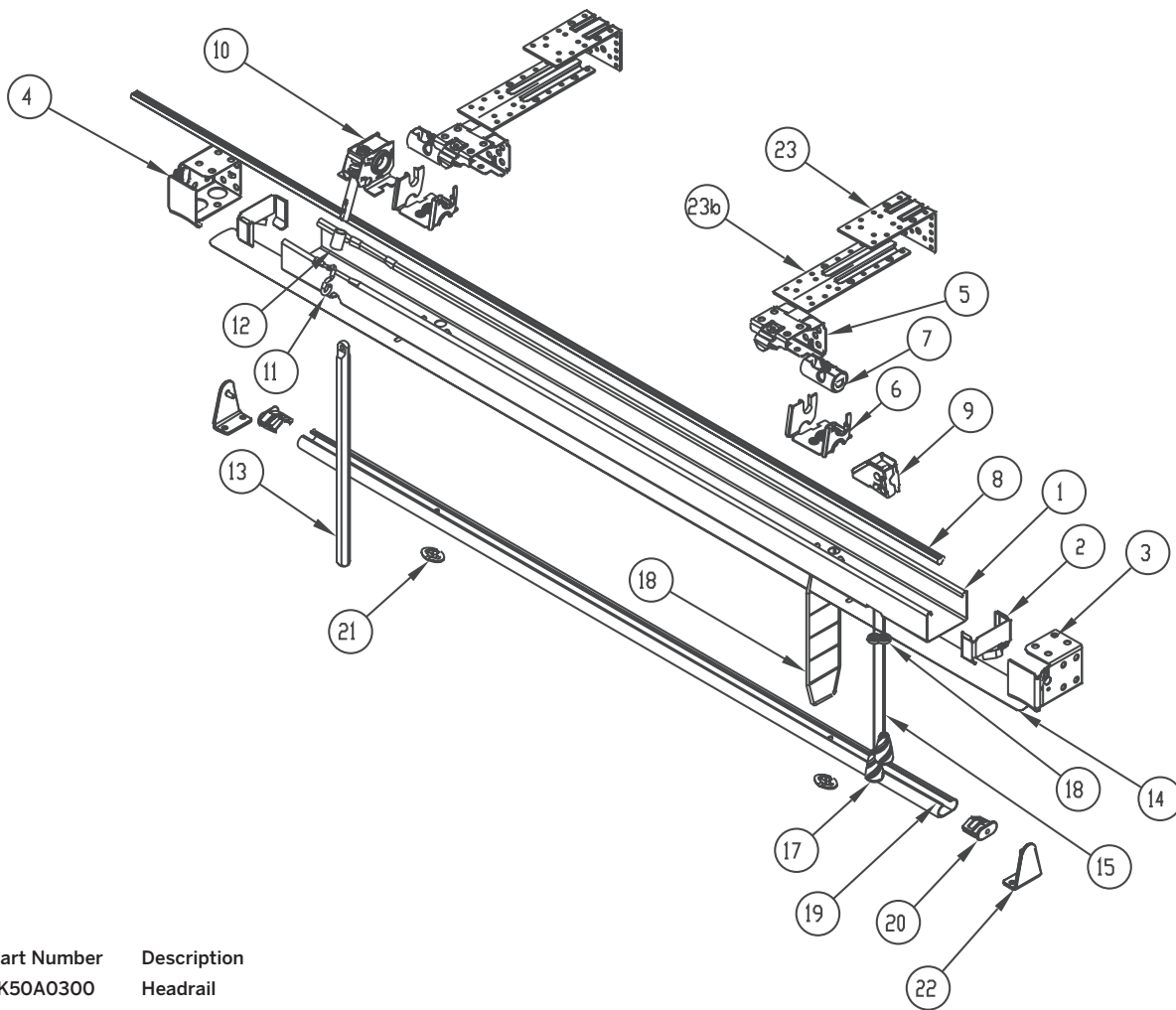
Exploded View—Basic1



Item	Part Number	Description
1	RAHR0023	Headrail
2	HMCL0032	Cord Lock
3	HMCD0006	Cradle
4	HFPN0012	Pin, Sis Cradle
5	HMDR0009	Drum
6	RRTE0010	Rod
7	HGEC0041	End Cap, Headrail
8	T17Y0000	Ladder Cords
9	K19B0300	Bottomrail
10	DY038310	End Cap, Bottomrail
11	E12F0000	Hold Down
12	Y23C0001	Ladder Cap
13	DDW30445	Safety Cord Stop
14	S71D0000	Slat, 1" Metal
15	HMTL0024	Tilter
16	HGWN####	Wand
17	C8800000	Lift Cords
18	HGTS0001	Tassel
19	HBCK0098	Bracket
20	HBEX0013	Extension Bracket
20b	HBEX0014	Extension Bracket Plate

Metal Blinds

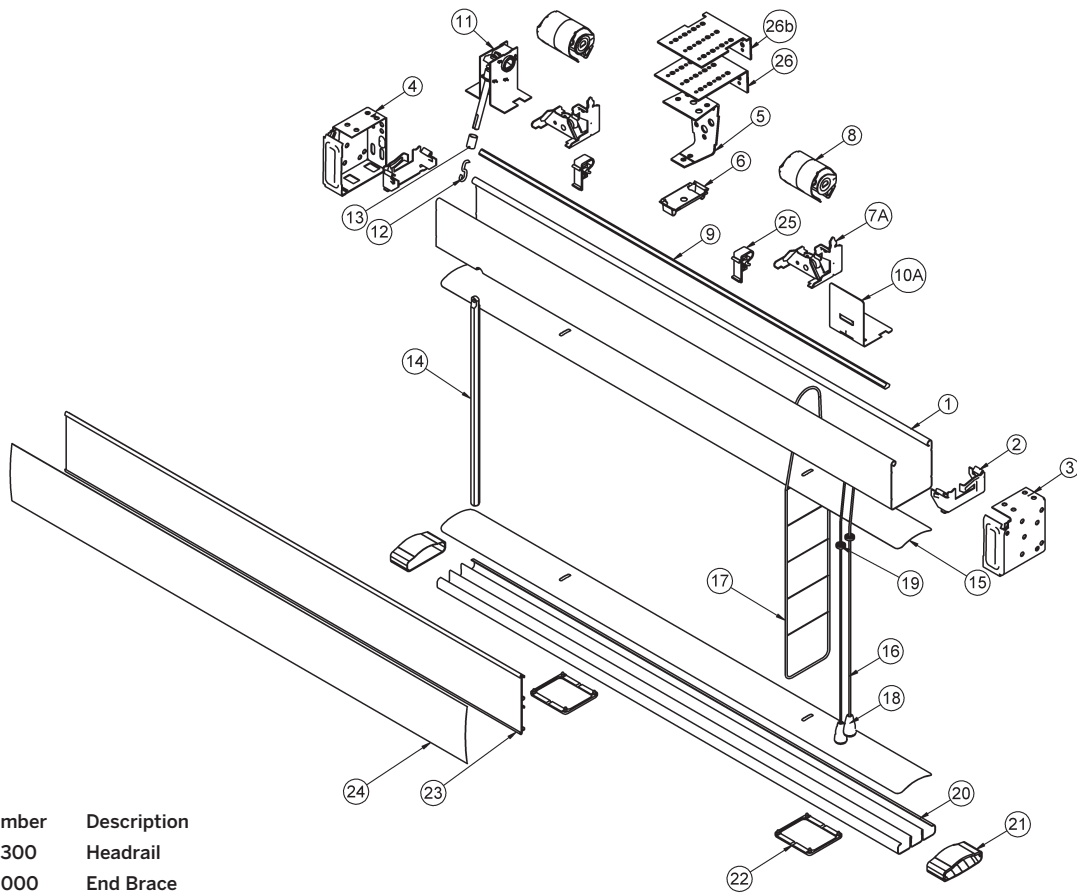
Exploded View—Classic 1/2"



Item	Part Number	Description
1	K50A0300	Headrail
2	K09E0400	End Brace
3	K01E0200	Box Bracket - Right
4	K01E0200	Box Bracket - Left
5	K16F0000	Intermediate Support Bracket
6	K13C0000	Cradle
7	K13Y0000	Drum
8	E20P0300	Tilt Rod
9	K10K0000	Cordlock Assembly
10	K11A0000	Tilter Assembly
11	K11B3700	Tilter - S-Hook
12	K11B2800	Tilter - Sleeve
13	K20W0000	Wand
14	S51D0000	Slat
15	C8800000	Cord
16	T15R0000	Ladder
17	HGTS0001	Tassel
18	DDW30445	Safety Cord Stop
19	K19B0300	Bottomrail
20	DY038310	Bottomrail End Cap
21	Y23C0001	Ladder Cap
22	DJL01873	Hold-Down Kit
23	HBEX0013	Extension Bracket
23b	HBEX0014	Extension Bracket Plate

Metal Blinds

Exploded View—Classic 2"



Item	Part Number	Description
1	E50L0300	Headrail
2	E09U2000	End Brace
3	E01A0400	Box Bracket - Right
4	E01A0400	Box Bracket - Left
5	B16A0000	Intermediate Support Bracket
6	E09T0000	Top Brace
7A	H13T0000	Cradle - Right Pulley
7B	H13T7000	Cradle - Left Pulley
8	H13D0000	Drum
9	E20P0300	Tilt Rod
10A	H10S0000	Cordlock Assembly - Right
10B	H10S7000	Cordlock Assembly - Left
11	E11W0000	Tilter Assembly
12	K11B3700	Tilter - S-Hook
13	K11B2800	Tilter - Sleeve
14	K20W0000	Wand
15	S02D0000	Slat
16	C9800000	Cord
17	T19K0000	Ladder
18	HGTS0001	Tassel
19	DDW30445	Safety Cord Stop
20	E19R0300	Bottomrail
21	E29C0000	Bottomrail End Cap
22	H23P0000	Ladder Cap
23	K17F7300	Valance Frame
24	S08D0000	Valance Slat
25	U17C0000	Valance Clip
26	L01X2000	2" Extension Bracket
26b	L02X4000	4" Extension Bracket
NS	G12P9900	Hold-Down Kit

Metal Blinds

Terms and Conditions

Order Processing

Telephone Orders

Verbal orders are accepted as the dealer's responsibility. Each order will be repeated back by the Customer Service Representative. In certain instances, we may require written orders.

Duplicated Orders

All orders are confirmed after entry into our system. Customer Service is not responsible for duplicate orders caused by a written order following a telephone order or duplicate faxes.

Changes and Cancellations

All products are custom-made to your specifications under tight deadlines. Once production has begun on your order, changes and cancellations cannot be made.

Contract Orders

All Contract Orders must be processed through Contract Customer Service at 1-800-826-8021.

Freight

- Shipments outside the continental U.S. are subject to freight charges.
- Chargeable parts and returns for repair are subject to freight charges.

Pricing and Terms

All prices are subject to change without notice. Until credit is approved, terms are Cash With Order. Standard terms are Net 30 days from invoice date.

Claims and Returns

Defective Merchandise

All manufacturing defects must be reported to Customer Service within 30 days of receipt of shades. We may require the return of defective shades prior to repair or replacement.

Incorrect Merchandise

If any part of your shipment was made incorrectly, please advise Customer Service within 30 days. A replacement will be made at no charge if the problem was due

to Kirsch® error. If the problem was due to dealer or customer error, the original order and replacement order will be full charge.

Returns for Repair

Prior to return for repair, contact Customer Service. We will request the order number, date, purchase order number, and type of product. Arrangements for return will be made at that time with directions as to how the shades should be returned. The package should be marked for easy identification both inside and outside, and should contain a written confirmation of the verbal repair instructions. Repairs should be packaged carefully. Product that has been mishandled or received in poor condition will be returned to the customer.

Chargebacks for unauthorized repairs or additional installation cannot be honored.

All returns for repair are subject to freight charges.

Returns for Credit

Returns can be accepted only if prior authorization has been obtained from Customer Service. Authorization will include instructions as to how the merchandise should be returned. Unauthorized returns will be refused.

Freight Damage FedEx/FedEx Ground:

- If freight damage is visible, refuse the shipment. FedEx will inspect the damage and return to the shipping location. Contact Customer Service for further information.
- If freight damage is concealed, retain all packaging materials and contact Customer Service immediately (must be notified within 14 days).

Freight Damage Common Carrier:

- If freight damage is visible, refuse the shipment. The carrier will return the merchandise to the shipping location for inspection. Contact Customer Service for further information.
- If freight damage is concealed, retain all packaging materials and contact Customer Service immediately (must be notified within 14 days).



At Kirsch, we're committed to making products and relationships that last. That's why we offer a product with a complete warranty and a no-risk exchange policy.

No Risk Exchange Policy

Whether you mis-measured or simply changed your mind, if you don't love your custom Kirsch for any reason, we'll exchange it within 30 days of receipt.

Full 10-year Warranty

Your investment will last. If any part of your custom Kirsch breaks or is damaged due to poor workmanship or defect within 10 years of purchase, we'll repair or replace it free of charge.

kirsch®



kirsch.com

Kirsch Window Fashions ©2015
3 Glenlake Parkway, Atlanta, GA 30328
1-800-225-1988 • 1-800-545-2325 fax • www.kirsch.com

A ***NewellRubbermaid***™ Brand



1939122